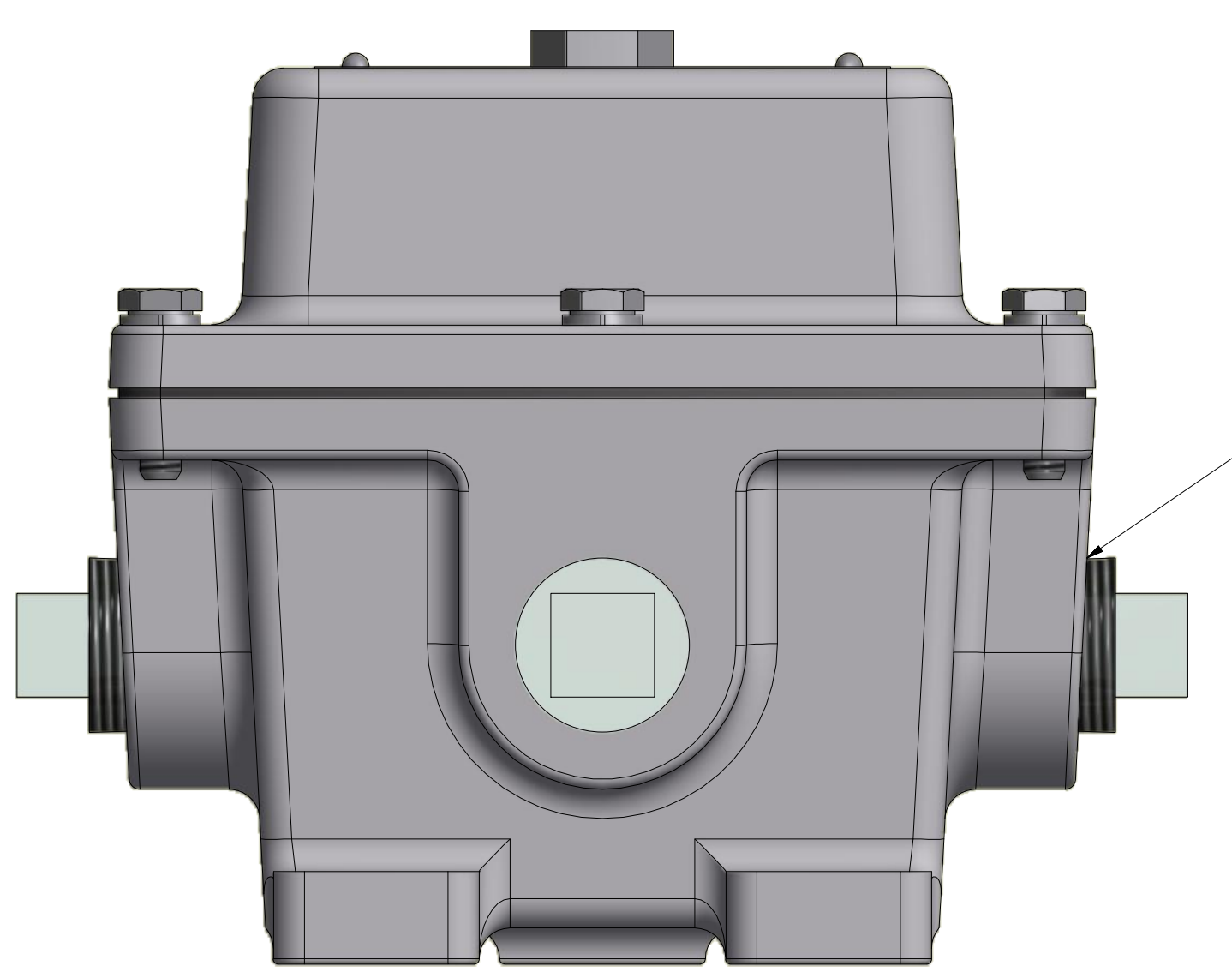
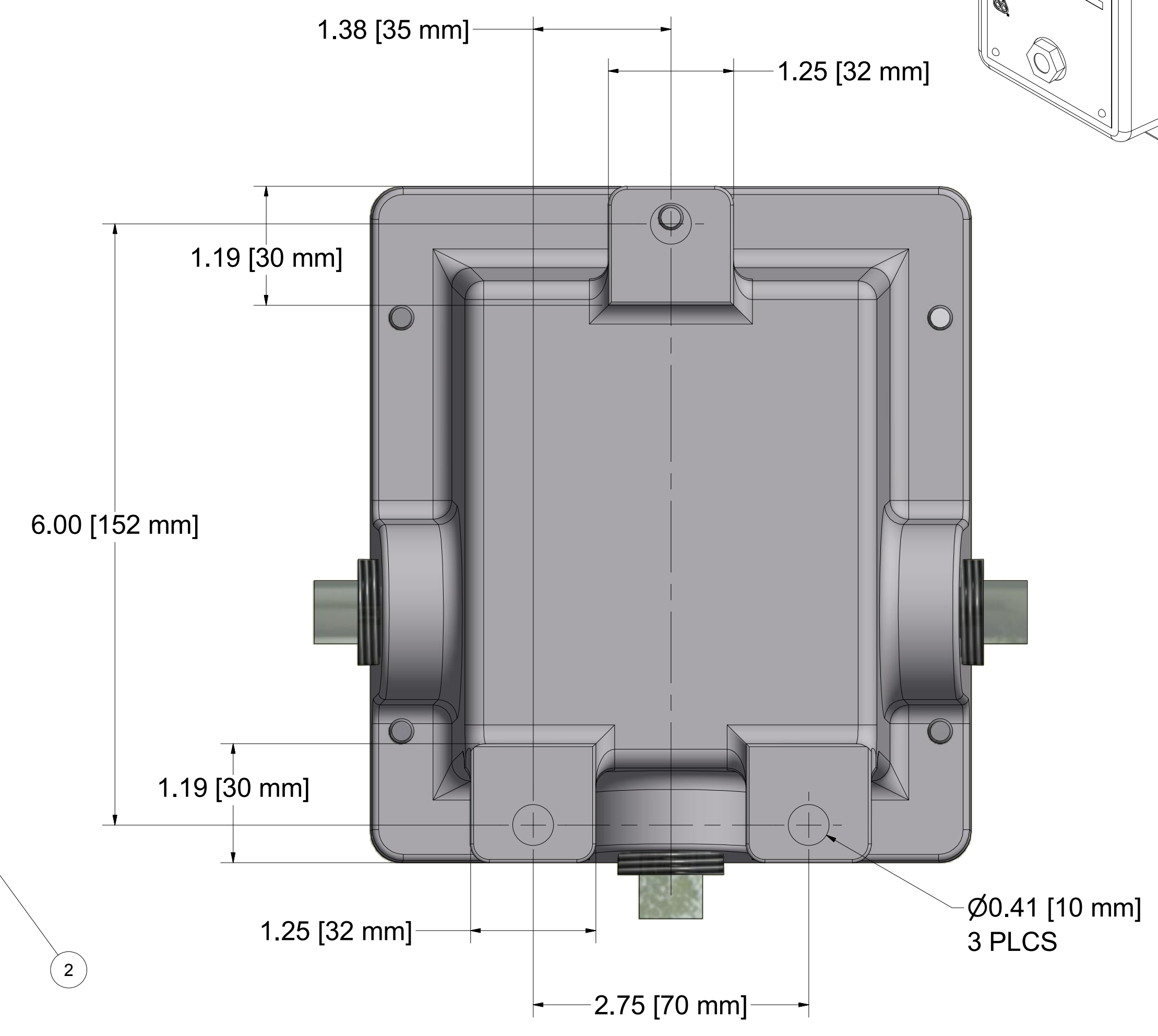
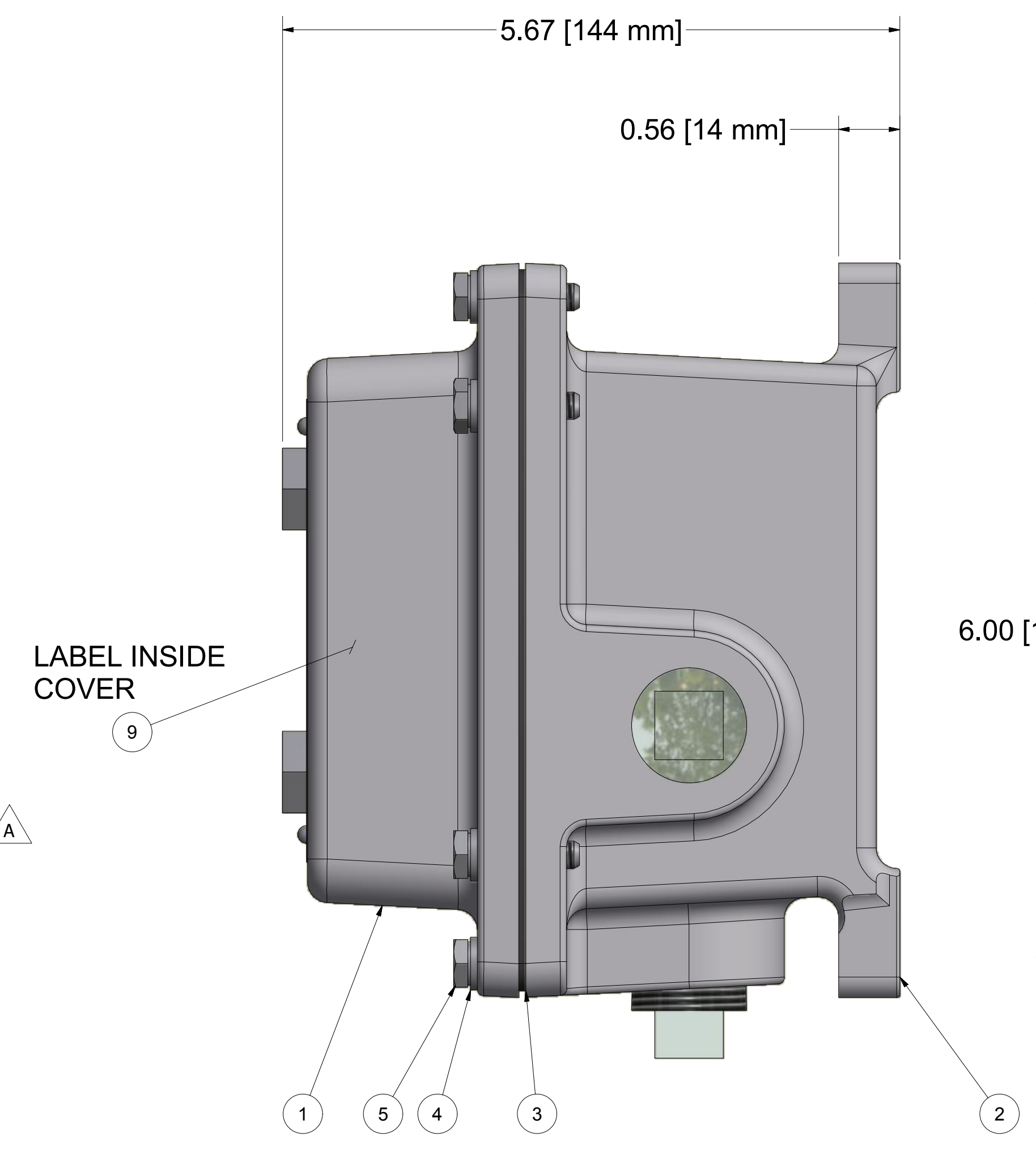
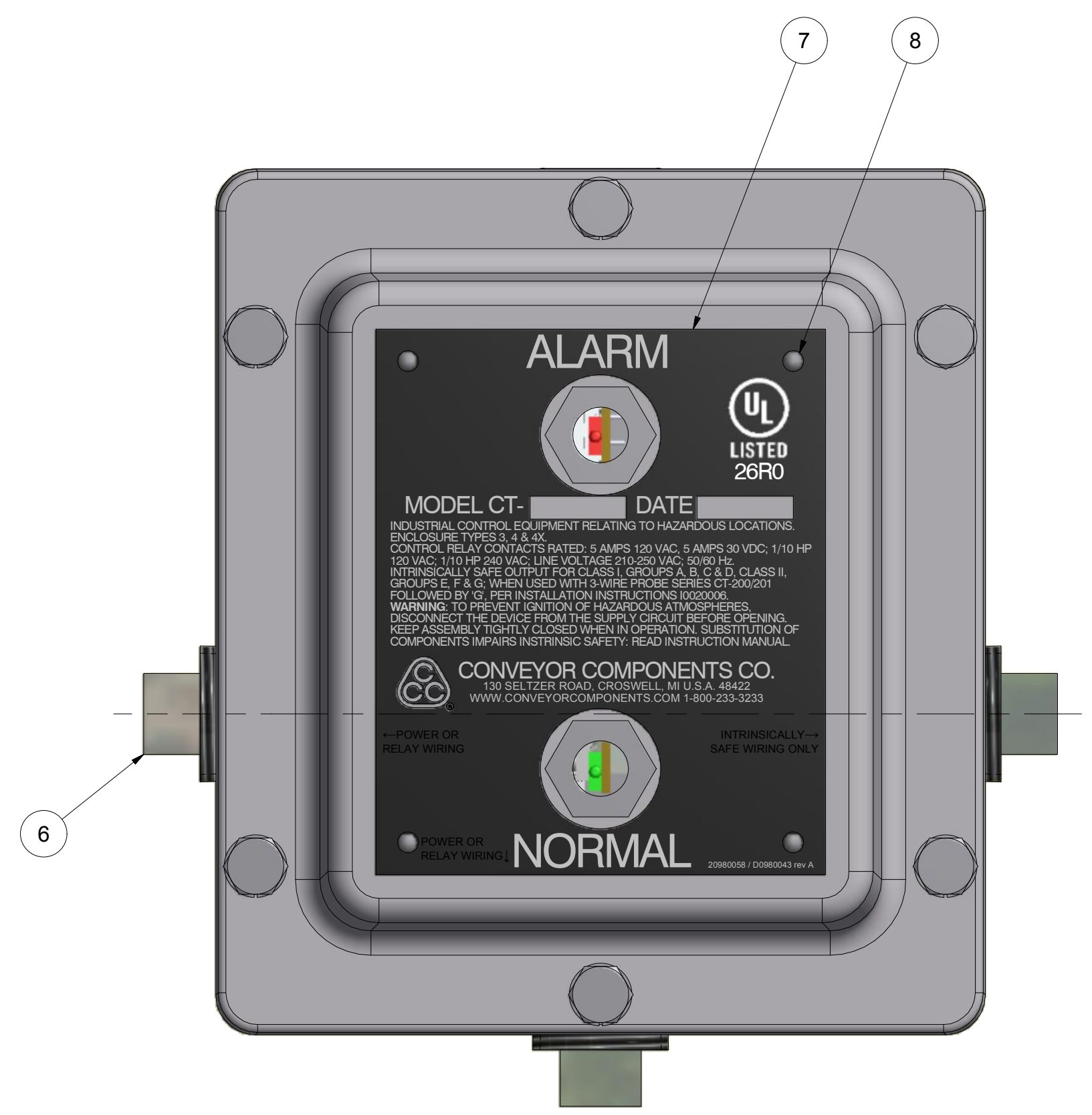
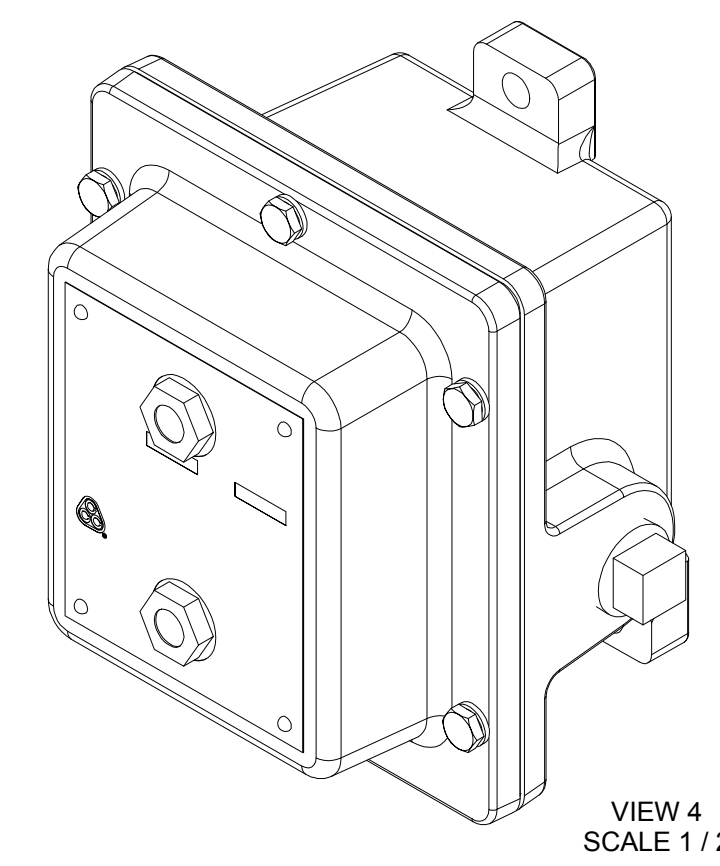


REV	ECO	DESCRIPTION	DATE	BY	APP
A	3811	ADD LABEL	9/20/2011	GL	JK



ENCLOSURE TYPE 3, 4, 4X.  
ALL DIMS REFERENCE ONLY.

PARTS LIST				
ITEM	PART#	DWG	DESCRIPTION	I QTY
1	20020194	D0020038	CT COVER ASSEMBLY X-PROOF	1
2	20020214	D0020053	CT BASE ASSEMBLY X-PROOF 240 VAC	1
3	20170043	B0170003	RS/SS-14/TA Gasket - (Rhopac)	1
4	22013426		1/4" SPLIT LOCKWASHER - SST	6
5	22011075		1/4-20 X 1 HEX HEAD CAP SCREW - SST; UL CTRL	6
6	RS-29		3/4" CONDUIT PLUG UL CONTROLLED	3
7	20980058	D0980043	NAMEPLATE: CT CONTROL REG. 240 VAC UL	1
8	22016101		#2 X 1/4 Drive Rivet - SST	4
9	20980079	D0980059	LABEL: CT CONDUCTORS / TORQUE	1

DRAWN: GL, 3/18/2010  
 CHECKED: JK, 10/2/2012  
 APPROVED: JK, 9/22/2011

**Conveyor Components Company**  
 Division of Material Control, Inc.  
 130 Seltzer Road, Crosswell, Michigan 48422 U.S.A.

TITLE: CT-105B CONTROL: 240 VAC; TYPE 4X

THIS PRINT IS PROPERTY OF CONVEYOR COMPONENTS CO., AND MAY NOT BE USED IN WHOLE OR PART WITHOUT WRITTEN PERMISSION.

DWG NO: D0020050.dwg  
 REV: A

SCALE: SHEET 1 OF 1